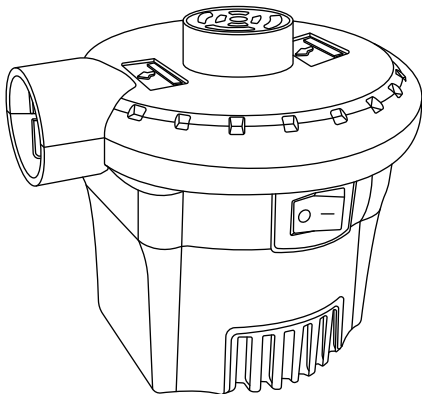




Air Mattress Portable Pump User Manual



Thank you for purchasing the Air Mattress Portable Pump from AstroAI. In order to ensure the best performance and safety, please read and follow the instructions before use. For future reference, please keep the instructions. We hope you can enjoy your new Air Mattress Portable Pump. If you need any help and support from our customer service team, you are welcome to contact us via support@astroai.com. Thank you again.

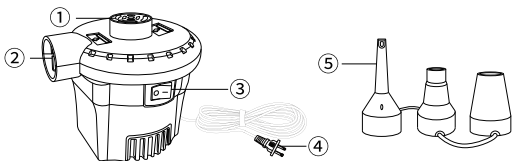
WARNING //

- Please read the instructions carefully before use.
- Please keep the product in a dry place and away from direct sunlight.
- DO NOT modify this product at will.
- Please keep the product away from fire, corrosive liquid and strong acid.
- DO NOT use or store in humid environment.
- DO NOT use the product for other purposes.
- Please do not let your product work for more than 10 minutes and take at least 3 minutes off.
- DO NOT let the hair, gravel and stone into the pump, they will make the pump unable to work or even burn out.
- When the pump is working, please don't use your eyes to observe the Inflatable and deflatable nozzles, which will hurt your eyes.
- DO NOT put your fingers into the gap of the pump anytime, or it will hurt your fingers.
- DO NOT block the heat dissipation port when working.

Accidents may occur during shipping, please contact our support team if you experience any of the following problems:

- The pump does not work.
- Lack of accessories.
- Damaged power cord or damaged body.

DIAGRAM //



- ① Deflatable Nozzle
- ② Inflatable Nozzle
- ③ Switch
- ④ Plug
- ⑤ 3 Interlocking Nozzles

FEATURES //

BODY:

- Made of new high strength ABS plastic; special surface treatment technology and unique shape help you to have a better experience when using; 118 Inches of the power cord can make your operation more flexible.

NOZZLES:

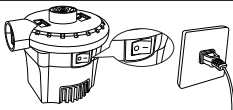
- Three kinds of practical nozzles perfectly match most of your inflatable items and wear-resistant materials greatly improve the service life of the nozzles.

PRODUCT EFFICIENCY:

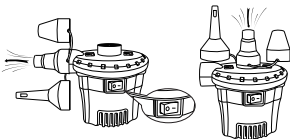
- High-performance motor can quickly inflate and deflate your items; suitable for large inflatable items.

INSTRUCTIONS //

- Before starting, please press the “O” Switch, and then insert the plug into the AC socket.



- According to the nozzles type of items you want to inflate (deflate), choose the appropriate nozzles and accurately insert the “inflatable” or “deflatable” nozzles, and then press the “—” switch, the air pump will work.



- When the inflatable item is filled to the appropriate pressure (or vacuum), please press the “O” switch, and unplug the plug.

PRODUCT SPECIFICATIONS //

Input Voltage	US/JP/CA 100-120V
	EU/UK 200-240V
Output Power	130W

Maximum Gas Flow	420L/min
Maximum Pressure	0.65PSI
Maximum Working Time	10 Minutes
Power Cord Length	3 meters/118 in

TROUBLESHOOTING //

Q: The pump does not work?

A: Please ensure that socket has power and the switch “—” is on.

Q: Poor performance of inflating/deflating?

A: Please make sure the deflatable nozzle is blocked by objects.

PACKAGE CONTENTS //

1x Air Mattress Portable Pump

1x 3 Interlocking Nozzles

1x Warranty

1x User Manual


1 YEAR WARRANTY LIMITED WARRANTY FROM ASTROAI //

Each AstroAI Air Mattress Portable Pump will be free from defects in material and workmanship. This warranty does not cover damage from neglect, misuse, contamination, alteration, accident, or abnormal conditions of operation or handling. This warranty covers the original purchaser only and is not transferable. Any question or concerns? Please feel free to contact us.

AstroAI always wants to provide our customers with excellent products as well as customer service. To know more about us, please visit astroai.com.



Web:www.astroai.com
E-mail:support@astroai.com

A thick, solid black horizontal bar is located at the bottom of the page, starting from the left margin and extending across most of the width.