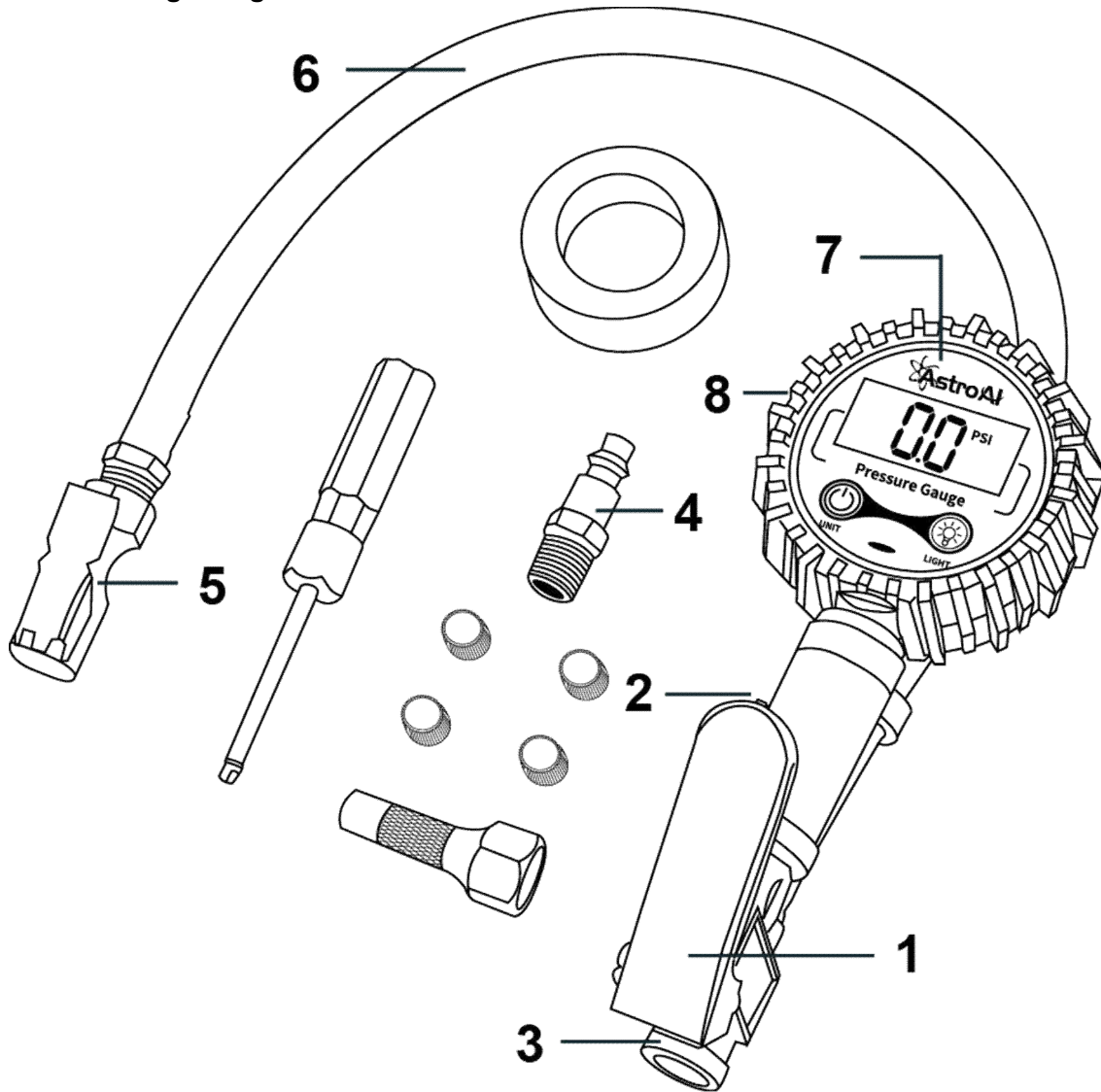


Thank you for purchasing the AstroAI 250 PSI Tire Inflator Gauge. Inflate tires without having to continually check pressure and then adjust. We hope you enjoy your new Tire Inflator Gauge. If you have any questions or concerns about your new product, please contact AstroAI Customer Support at [support@astroai.com](mailto:support@astroai.com).

### Inflator Gauge Diagram



1. Valve Controller
2. Air Bleed Valve/Reset Button
3. NPT Male End
4. NPT Threaded Female Connector
5. Interchangeable Brass Chucks
6. 18" Rubber Hose
7. Digital Gauge Display
8. Battery Compartment

## **Instructions**

Use the AstroAI Tire Inflator Gauge to inflate tires to the optimal pressure level.

### **Inflate Tires Using an Air Compressor**

1. Thread one of the NPT connectors to the bottom of the tire gauge.
2. Connect the AstroAI Inflator Gauge to an air compressor using the NPT connector.
3. Press the Air Bleed Valve/Reset Button to ensure the gauge is set to Zero.
4. Connect an Air Chuck to the rubber hose. Use the chuck to connect to the tire valve.
5. Fill by pressing the Valve Controller to desired pressure level.
6. Release excess air using the Air Bleed Valve/Reset Button.

## **Specifications**

Inflation Range: 0-250 PSI

Accuracy:  $\pm 1\%$

Display Resolution: 0.1 PSI

Display Type: Backlit LCD

Measurement Units: PSI, KPA, Bar, Kg/cm<sup>2</sup>

Compatibility: NPT air compressor connector

## **Package Contents**

- 1 x AstroAI Tire Inflator Gauge
- 1 x User Manual
- 4 x Valve Caps
- 1 x Twist-on Air Chuck
- 1 x Brass Air Chuck
- 2 x AAA Batteries
- 1 x 1/4" NPT Steel Fitting
- 1 x Valve core tool
- 1 x Thread Seal Tape Roll
- 1 x Twist-on Air Chuck

## **3 Year Warranty Limited Warranty From AstroAI**

Each AstroAI Inflator Gauge Diagram will be free from defects in material and workmanship. This warranty does not cover damage from neglect, misuse, contamination, alteration, accident, or abnormal conditions of operation or handling. This warranty covers the original purchaser only and is not transferable.

Questions or Concerns? We're happy to help!  
support@astroAI.com