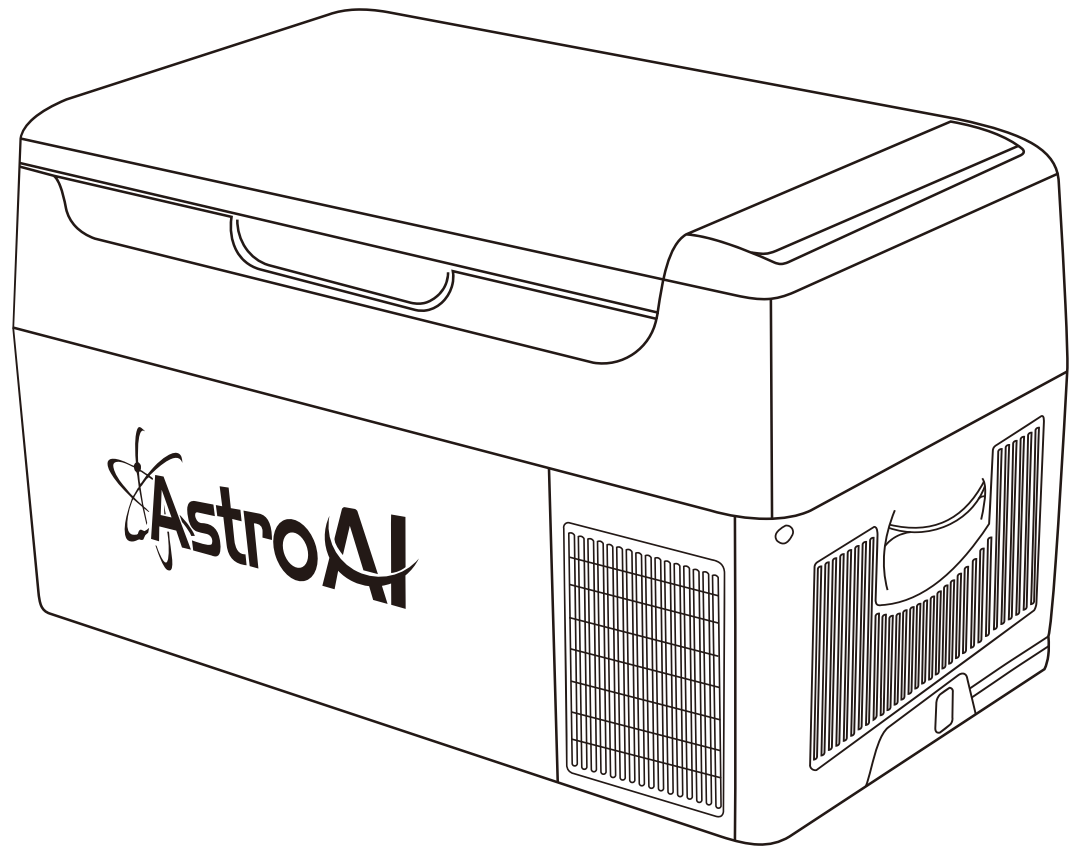




# Portable Freezer User Manual



This manual contains important information regarding the safety, operation, maintenance, and storage of this product. Before usage, read and understand all cautions, warnings, instructions and product labels. Failure to do so could result in possibly injury or property damage. Please keep this manual for future reference.

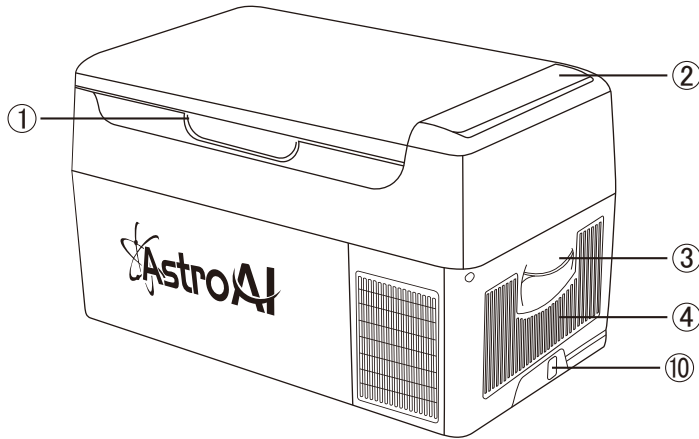
Thank you for purchasing the AstroAI portable freezer. This is a portable freezer that can be used with both a 12/24 volt car outlet or a standard wall outlet. With an included chill and heat function, you'll be able to keep everything at the perfect temperature.

We hope you enjoy your new Portable Freezer! If you have questions or concerns contact us via [support@astroai.com](mailto:support@astroai.com).

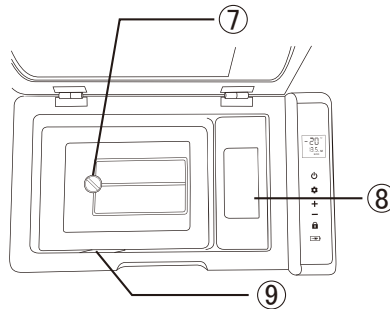
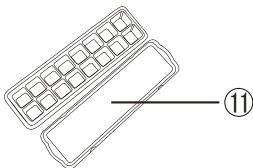
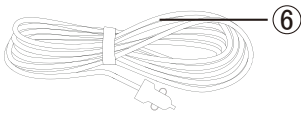
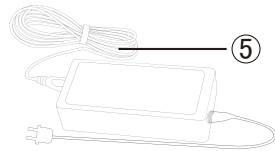
# 01 / SAFETY INFORMATION

- When using the 12/24V in-car adapter, the compact fridge should not be left connected for long periods of time when the engine is not running.
- Unplug this device during lightning storms or when not in use for long periods of time to prevent damage.
- DO NOT open or remove covers, doing so may expose you to dangerous voltages or other hazards.
- The supply voltage should be the same as that indicated in the technical specifications and the appliance rating plate.
- In order to disconnect the device from the mains completely, switch off the outlet and remove the mains plug.
- Do not bend, stretch or pull the supply cable in order to avoid electric shocks.
- Avoid using locations where dust or other airborne contamination may be drawn into the fan.
- Allow at least 5 inches of distance from the back and sides of the device to allow proper air circulation and heat dispersal.
- Never leave the fridge running in poorly ventilated areas e.g. a car's trunk.
- The installation of DC power on board must be performed by a professional electrician.
- Do not use electrical products inside the freezer.
- After initially unpacking the freezer, let it stand for at least 6 hours before powering on.
- Keep the freezer horizontal at all times.
- The freezer should be operated in a well-ventilated area away from heat sources and direct sunlight.
- Do not soak the freezer with water. If water accumulates inside the freezer, use a cloth to dry out the condensation. Do not pour water out of the freezer.

## 02 / DIAGRAM

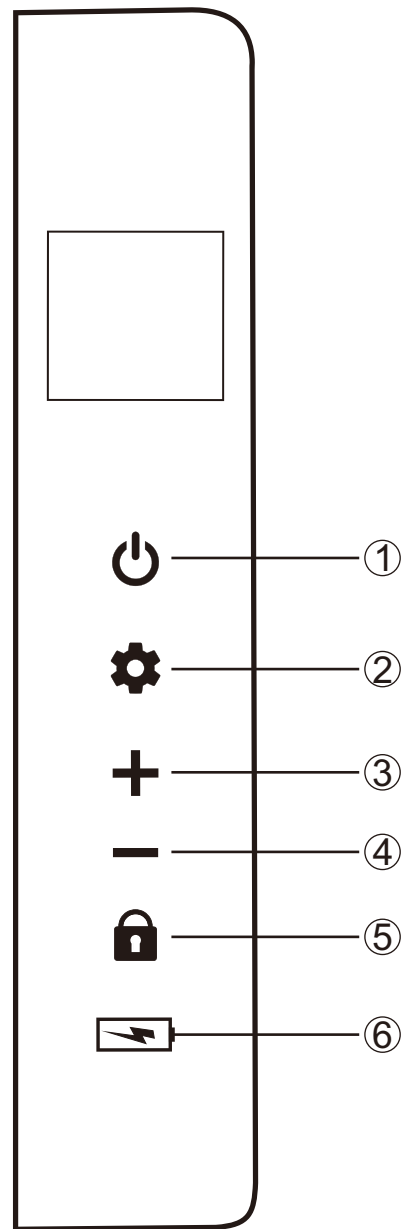


- ① Magnetic Door Handle
- ② Control Panel
- ③ Carrying Handle
- ④ Heat Dissipation Port
- ⑤ AC Cord and plug
- ⑥ DC Cord and plug
- ⑦ Drain Plug
- ⑧ Fast Ice-making Area
- ⑨ LED Light
- ⑩ Power Port
- ⑪ Ice Cube Tray

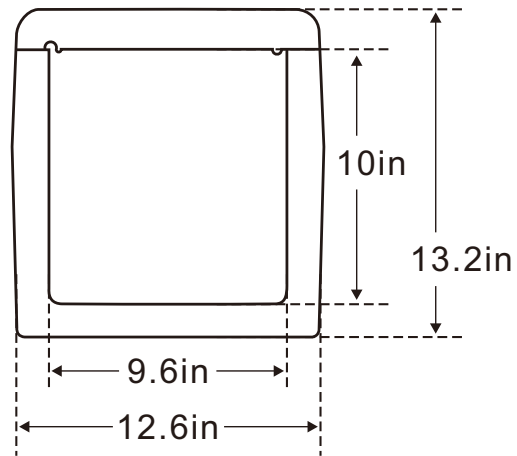
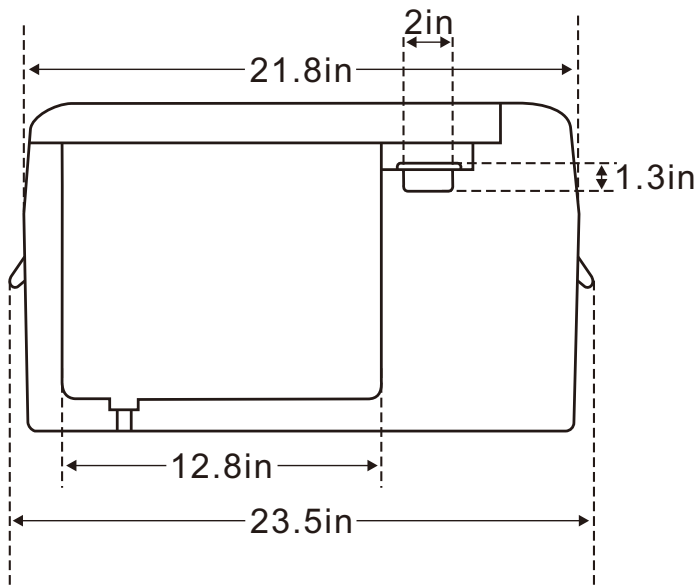


# 03 / DISPLAY INTRODUCTION



- ① Power Button
- ② Set Button
- ③ Increase Temperature
- ④ Decrease Temperature
- ⑤ Child Safety Lock
- ⑥ USB Charging Port



# 04 / SIZE DESCRIPTION

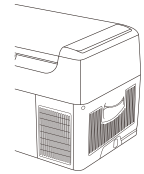


# 05 / SPECIFICATIONS

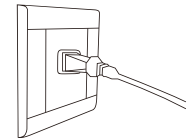
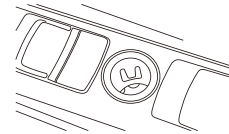
Capacity:	22L
Rated Voltage AC(Adaptor):	100V-240V 50-60Hz
Rated Voltage DC:	12V/24V
Rated Current:	AC:0.5A-1.2A
	DC:5.0A(12V)/2.5A(24V)
Climatic Category:	T/ST/N/SN
Protective Classification of Electric Shock Resistance:	
Refrigerant:	24g
Certifications:	CE,CB,GS,ROHS
	Important note: After initially unpacking the freezer, let it stand for at least 6 hours before powering on. Always keep the freezer horizontal.


# 06 / OPERATION INSTRUCTIONS



- ① Connecting the power supply: Connect one end of the power supply to the freezer socket.








- ② Connect the other end to a car cigarette lighter or a standard household outlet.



- ③ Press the “” button to turn the freezer on to cooling mode. The temperature on the display is the current internal temperature.

Note: This freezer has a Child Safety Lock function. If there is no operation within 10 seconds after starting the freezer, the screen will be automatically locked, and “” will be displayed. At this time, none of the buttons will work except the unlock button; Long press the unlock button for 2 seconds to unlock and the “” symbol on the screen disappears.

- ④ Press the “” or “” button to set the cooling temperature. Hold “” or “” to quickly increase/decrease the temperature. (Note: The first time you use the freezer, it will default to the lowest temperature. In subsequent uses, the temperature will default to the last user-set temperature.)

- ⑤ Press the “” button to change the freezer to ECO (Energy Saving Mode) or MAX (Fast Cooling Mode). The factory default mode is MAX.

- ⑥ Press the “” button to turn off the freezer.




# 07 / TEMPERATURE UNIT SWITCHING

- ① Set the freezer to its “ OFF ” state.
- ② Press and hold the “ ⚙ ” button until the display reads “E1”.
- ③ Press the “ + ” or “ - ” button to switch between Fahrenheit and Celsius.

# 08 / BATTERY PROTECTION SETTING

This freezer has a three-level battery protection function which not only guarantees the normal operation of the freezer, but also protects the battery of the vehicle.

- ① Set the freezer to its “on” state.
- ② Long press the “ ⚙ ” button until the display flashes “H”.
- ③ Press the “ ⚙ ” button again to select a low voltage protection level - L, medium voltage protection level - M, or high voltage protection level - H. The factory default is “H”.

Battery Protection		
L	M	H
8.5-10.9V	10.1-11.4V	11.1-12.4V
Vehicle Battery	External Battery or Spare Battery	
	<p>Note: Due to the different output voltages of different vehicle power supplies, if the voltage protection appears (if the display reads “F1”), you can lower the battery protection setting by one level (H adjusted to M or L). We do not recommend that you run the freezer while the engine is off. If you must run the freezer while the engine is off, set the protection level to H (high). If the freezer runs for too long without the engine on, the vehicle may not be able to start.</p>	

# 09 / TROUBLESHOOTING

Freezer is not working	<ul style="list-style-type: none"><li>● Check if the power supply is faulty.</li><li>● Check the plug to ensure it has a good contact.</li><li>● Check if the cigarette lighter fuse has blown.</li><li>● Check if the power switch on the display panel is on.</li><li>● After turning the freezer on, there is a three-minute compressor delay safety period. Check if the freezer turns on after three minutes.</li><li>● Check if the compressor turns on.</li></ul>
Excessive freezing inside the refrigerator	<ul style="list-style-type: none"><li>● The temperature is set too low.</li><li>● Confirm the door is closed and the seal is intact.</li><li>● Make sure the inside of the freezer is dry before use.</li></ul>
It sounds like water is running inside the freezer	<ul style="list-style-type: none"><li>● This is the normal sound of flowing refrigerant.</li></ul>
Water droplets accumulate around the shell or door seal	<ul style="list-style-type: none"><li>● When the moisture in the air meets the cold shell of the freezer, it condenses into water droplets. This condensation can be wiped off with a towel.</li></ul>
The compressor starts loudly	<ul style="list-style-type: none"><li>● When the compressor initially starts, the motor will usually run at a high speed. This produces a loud noise, but it will decrease after the speed has stabilized.</li></ul>
Inaccurate Temperature displayed	<ul style="list-style-type: none"><li>● If items put inside are too hot, the internal temperature will be uneven while the temperature stabilizes.</li><li>● Frequently opening and closing the freezer door causes a varying air flow, resulting in an unstable internal temperature.</li><li>● Make sure that the unit of your thermometer matches the unit of the freezer display.</li></ul>

# 10 / CODE ANALYSIS

F1	<ul style="list-style-type: none"><li>● Low voltage protection code: lower the battery protection setting by one level.</li></ul>
F2	<ul style="list-style-type: none"><li>● Overloaded protection for the fan: Turn the freezer off and leave it unplugged for 30 minutes before restarting. If the error occurs again, please contact AstroAI Customer Support for help.</li></ul>
F3	<ul style="list-style-type: none"><li>● Protection for a frequently started compressor: Turn the freezer off and leave it unplugged for 30 minutes before restarting. If the error occurs again, please contact AstroAI Customer Support for help.</li></ul>
F4	<ul style="list-style-type: none"><li>● The speed of the compressor is too low or the load is too large: Turn the freezer off. and leave it unplugged for 30 minutes before restarting. If the error occurs again, please contact AstroAI Customer Support for help.</li></ul>
F5	<ul style="list-style-type: none"><li>● High-temperature protection for the compressor: Turn the freezer off and leave it unplugged for 30 minutes in a well-ventilated area before restarting. If the error occurs again, please contact AstroAI Customer Support for help.</li></ul>
F6	<ul style="list-style-type: none"><li>● The controller cannot check the levels: Turn the freezer off and restart it. If the error occurs again, please contact AstroAI Customer Support for help.</li></ul>
F7/F8	<ul style="list-style-type: none"><li>● Abnormal protection of the thermal head: Check the terminal of the thermal head.</li></ul>

# 11 / 1 YEAR WARRANTY LIMITED WARRANTY FROM ASTROAI

Each AstroAI portable freezer will be free from defects in material and workmanship. This warranty does not cover damage from neglect, misuse, contamination, alteration, accident, abnormal operating conditions or handling. This warranty covers the original purchaser only and is not transferable.

AstroAI constantly provides customers with excellent products as well as top-level customer service. To find out more about us, please visit [astroai.com](http://astroai.com).